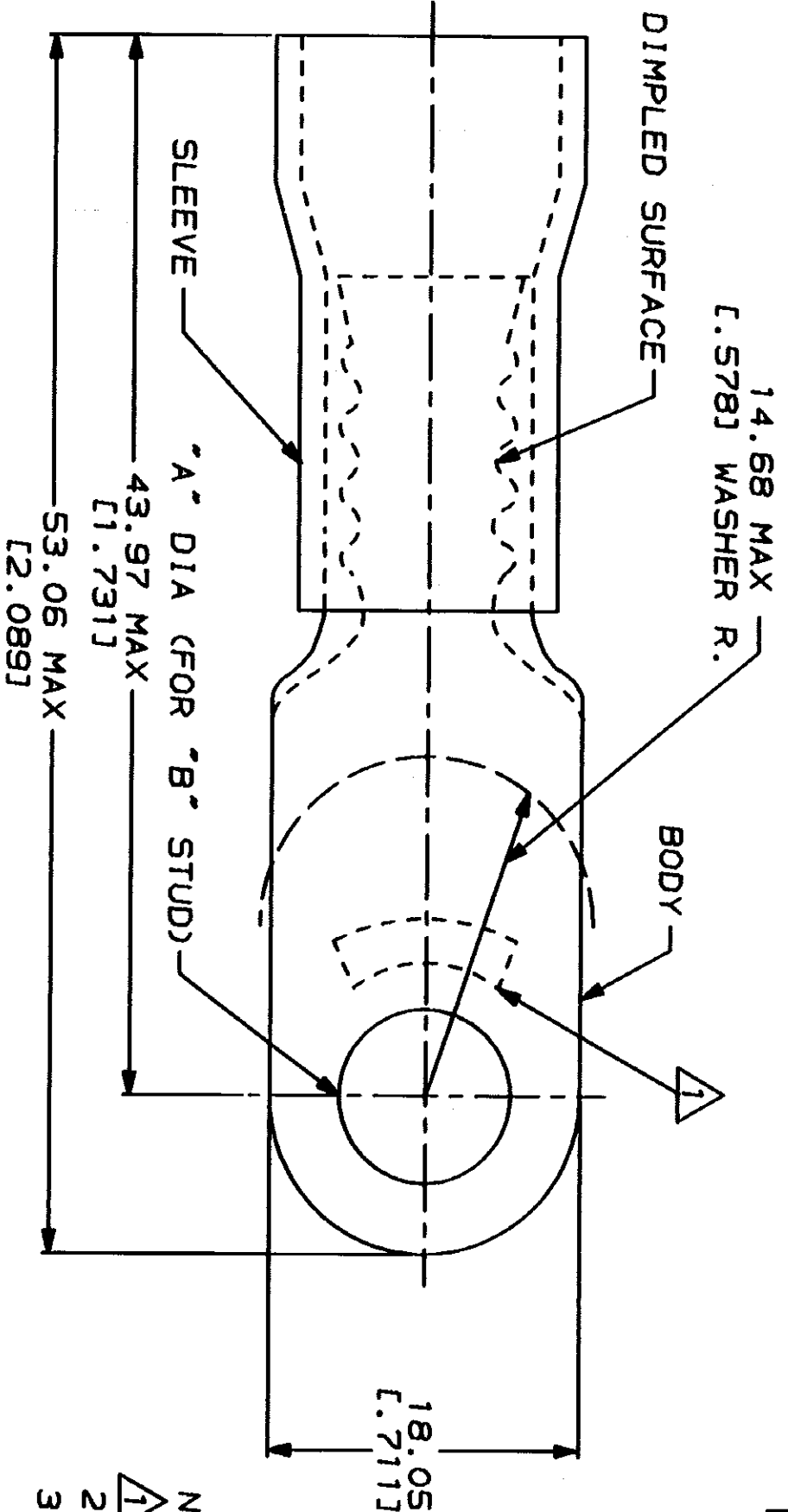


THIS DRAWING IS UNPUBLISHED. RELEASED FOR PUBLICATION
 © COPYRIGHT 19 BY AMP INCORPORATED. ALL INTERNATIONAL RIGHTS RESERVED.

LOC	DIST	REV	DESCRIPTION	DATE	APPD
G	14	J	REV / 0720-0324-93	2/9/94	BB

REVISIONS	
DESCRIPTION	DATE
REV / 0720-0324-93	2/9/94



AMP WIRE RANGE	FILE E13288	LR7189 Certified
2 AWG STRANDED	2 AWG STRANDED	2 AWG STRANDED

METRIC
 DIMENSIONS LISTED IN mm [INCHES]

- NOTE:
1. STAMP AMP 2* LOCATE APPROX AS SHOWN
 2. TONGUE MATERIAL THK 1.45±0.08 [0.057±.003]
 3. SEE TABLE FOR WIRE INSULATION DIA MAX

AMP INCORPORATED
 CUSTOMER SERVICE SYSTEMS

FOR ADDITIONAL PRODUCT INFORMATION OR COPIES OF DRAWINGS AND TECHNICAL DOCUMENTS	PRODUCT INFORMATION CENTER	1-800-522-6752
FOR APPLICATION	TOOLING ASSISTANCE CENTER	1-800-722-1111
TOOLING INFORMATION		1-800-526-5142

MAX RECOMMENDED OPERATING TEMPERATURE:
 90°C

VOLTAGE RATING:
 600 V MAX

CIRCULAR MIL AREA:
 26.65-42.41mm² [52,600-83,700]
 STRANDED

THIS DRAWING IS A CONTROLLED DOCUMENT FOR AMP INCORPORATED. IT IS SUBJECT TO CHANGE AND THE CONTROLLING ENGINEERING ORGANIZATION SHOULD BE CONTACTED FOR THE LATEST REVISION.

OBSOLETE

WIRE DIA	'B'	'A'	QTY	PACKAGE TYPE	PART NO
14.22 [0.5601]	3/8 [9.51±0.13]	1.39±0.0051	50	LOOSE PC	52044-5
16.05 [0.6321]	3/8 [9.51±0.13]	1.39±0.0051	50	LOOSE PC	52044-4
	3/8 [9.51±0.13]	1.39±0.0051	50	LOOSE PC	52044-2
	3/8 [9.51±0.13]	1.39±0.0051	50	LOOSE PC	52044-1

DR	S.S. COLLUM	DATE	8-28-83
CHK	R. JERRY	DATE	8-28-83
APPD	R. JERRY	DATE	8-28-83
APPD	R. JERRY	DATE	8-28-83

AMP AMP Incorporated
 Harrisburg, PA 17105-3608

TERMINAL, RING TONGUE,
 PLASTI-GRIP, WIRE SIZE: 2 AWG

APPLICATION SPEC	NOT AVAILABLE
SIZE	00779
CAGE CODE	00779
DRAWING NO	52044
SCALE	NTS
WEIGHT	
SHEET	1 OF 1